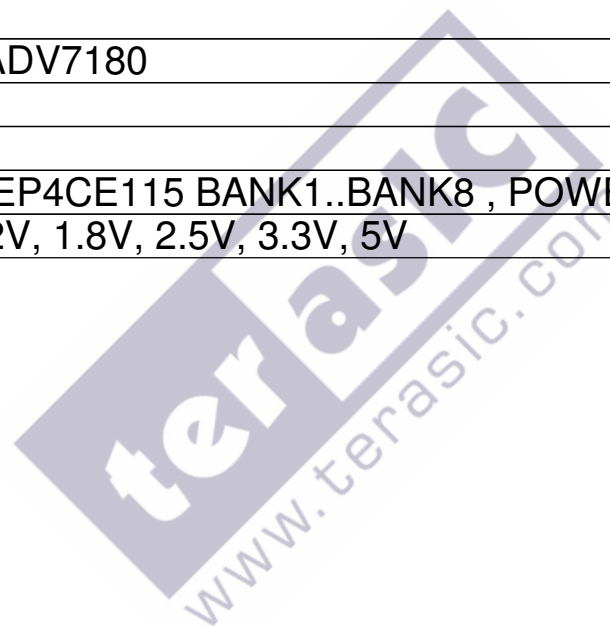

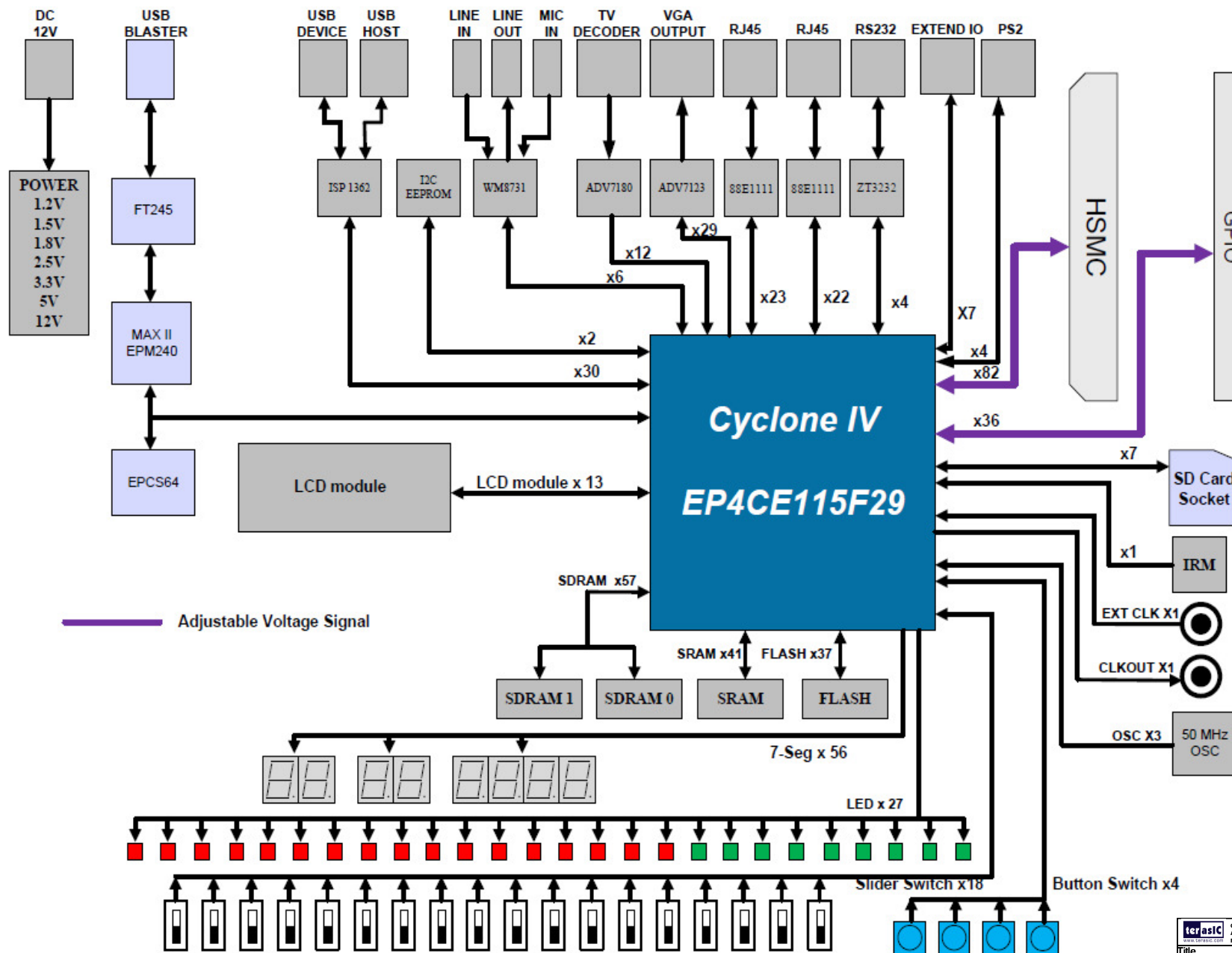


ALTERA Cyclone IV Development & Education Board (DE2-115)




SCHEMATIC	CONTENT	PAGE
01 TOP	Cover Page, Placement, TOP	01 ~ 03
02 MEMORY	SDRAM , SRAM , FLASH , SD CARD	04 ~ 06
03 DISPLAY	LCD , LED , 7SEGMENT	07 ~ 08
04 IN/OUT	CLOCK, IrDA, PS2 , RS232 , BUTTON , SWITCH , HSMC, EEPROM	09 ~ 14
05 ETHERNET	88E1111	15 ~ 16
06 VIDEO	ADV7123, ADV7180	17 ~ 18
07 AUDIO	WM8731	19
08 USB DEVICE	ISP1362	20
09 FPGA	Cyclone IV EP4CE115 BANK1..BANK8 , POWER , CONFIG	21 ~ 25
10 POWER	POWER 1.2V, 1.8V, 2.5V, 3.3V, 5V	26 ~ 27

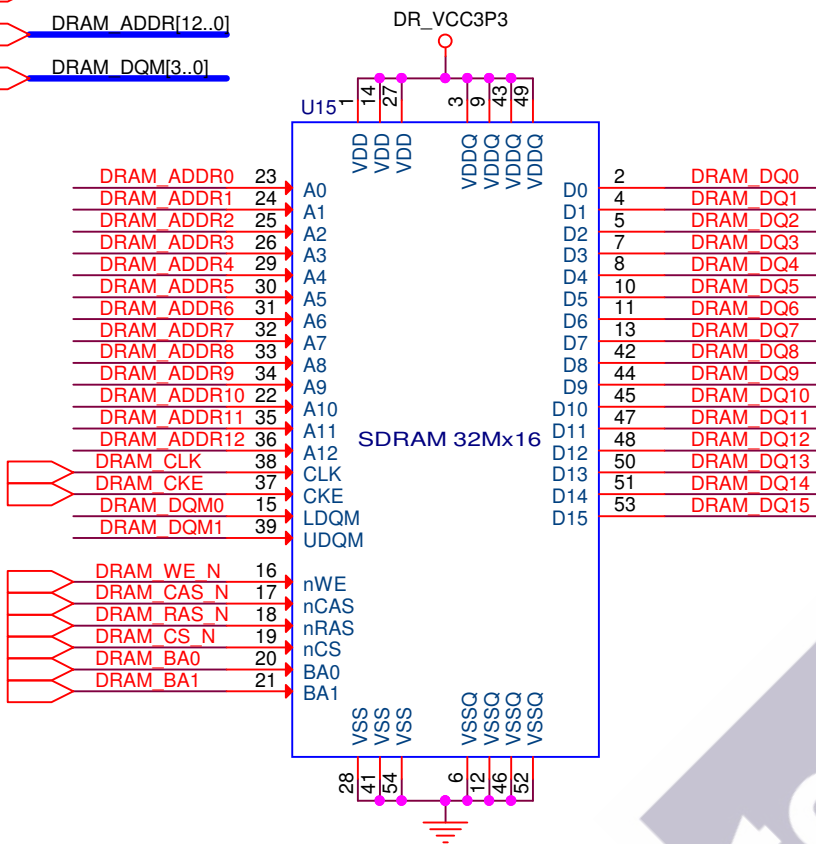


 Copyright (c) 2007 by Terasic Technologies Inc. Taiwan <small>All rights reserved. No part of this schematic design may be reproduced, duplicated, or used without the prior written permission of Terasic.</small>		
Title		
DE2-115 Main Board		
Size	Document Number	Rev
B	COVER PAGE	B
Date:	Friday, September 24, 2010	Sheet 1 of 27

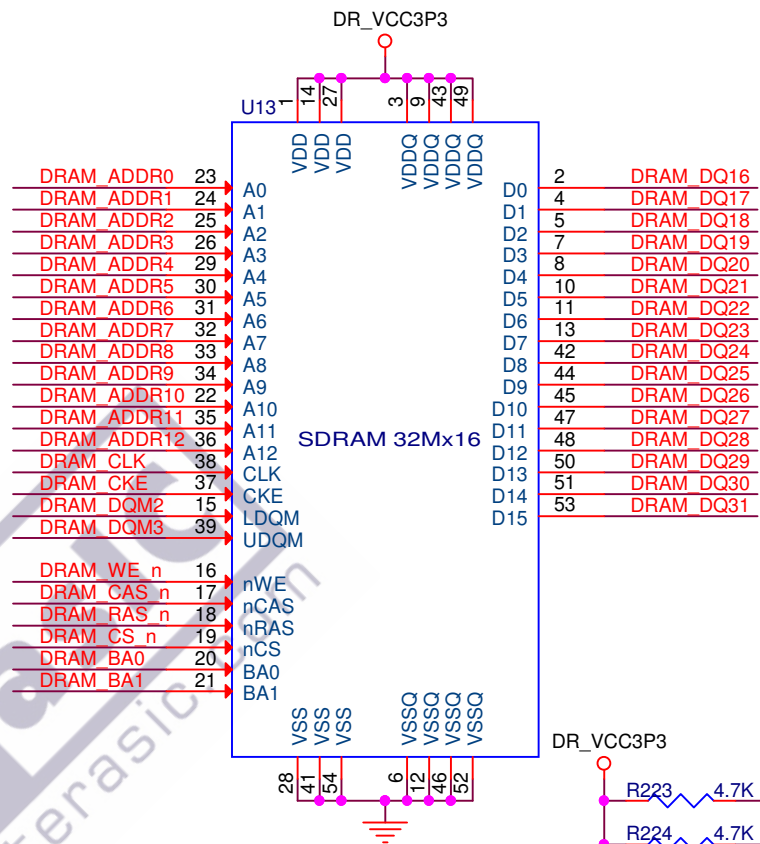


Copyright (c) 2007 by Terasic Technologies Inc. Taiwan. All rights reserved. No part of this schematic design may be reproduced, duplicated, or used without the prior written permission of Terasic.		
Title		
DE2-115 Main Board		
Size	Document Number	Rev
B	PLACEMENT	B
Date:	Friday, September 24, 2010	Sheet 2 of 27

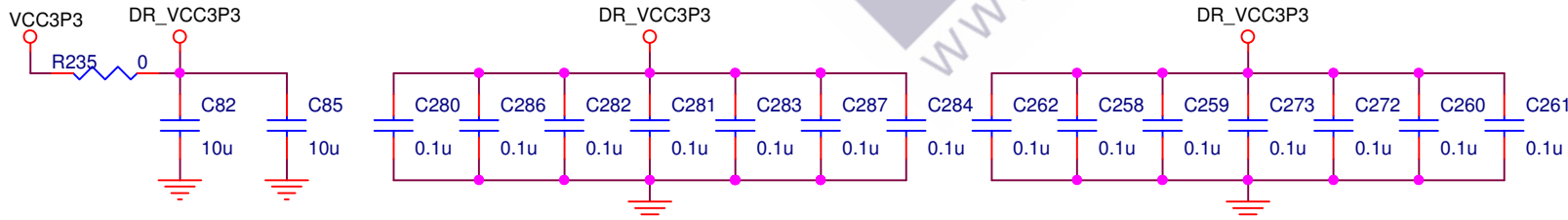
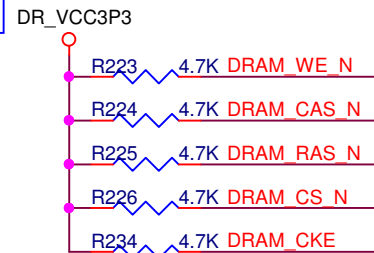
 DRAM DQ[31..0]
 DRAM ADDR[12..0]
 DRAM DQM[3..0]




SDRAM0



SDRAM1

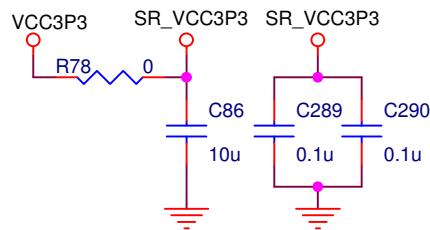
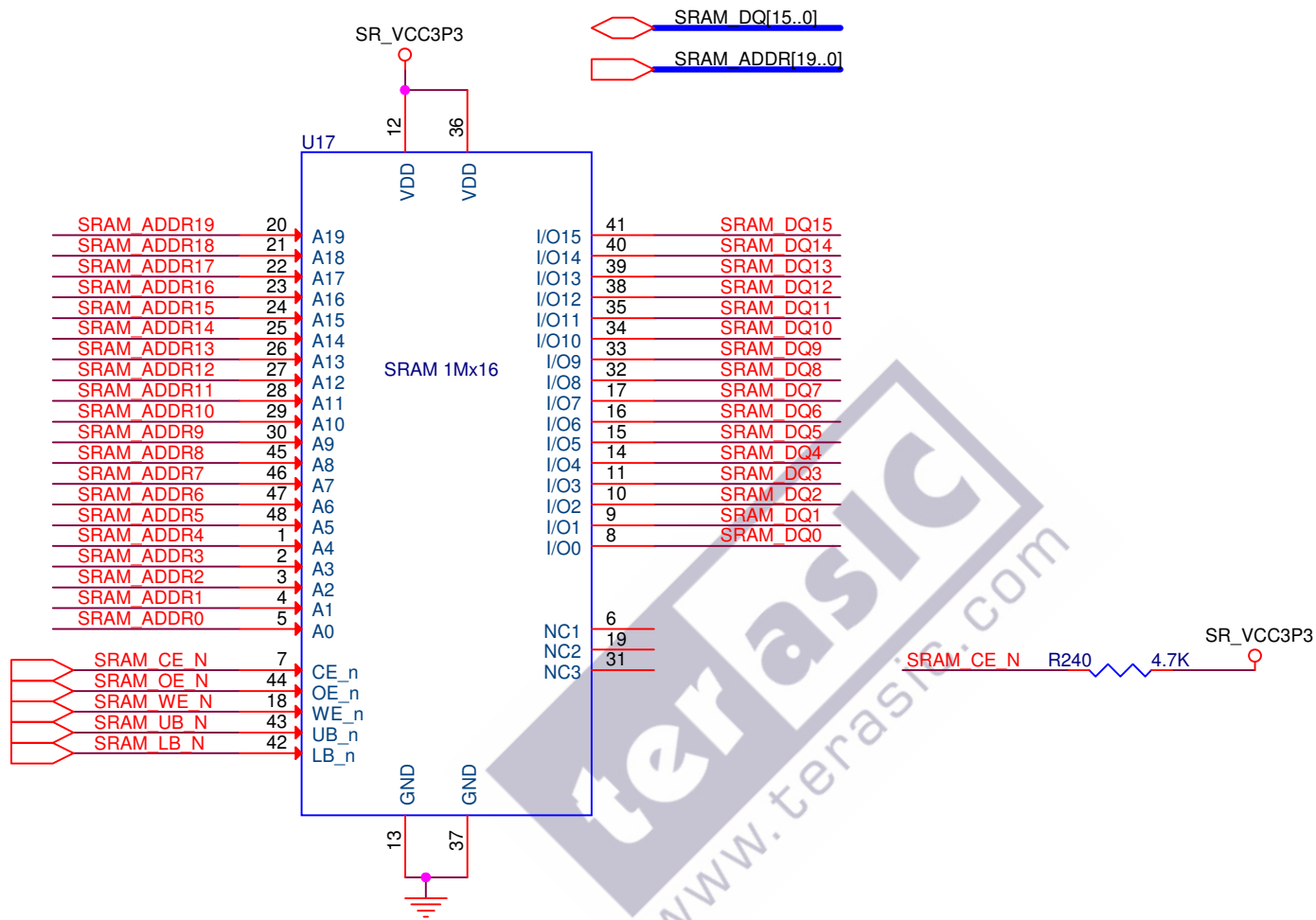



 Copyright (c) 2007 by Terasic Technologies Inc. Taiwan.
 All rights reserved.
 No part of this schematic design may be reproduced, duplicated, or used without the prior written permission of Terasic.

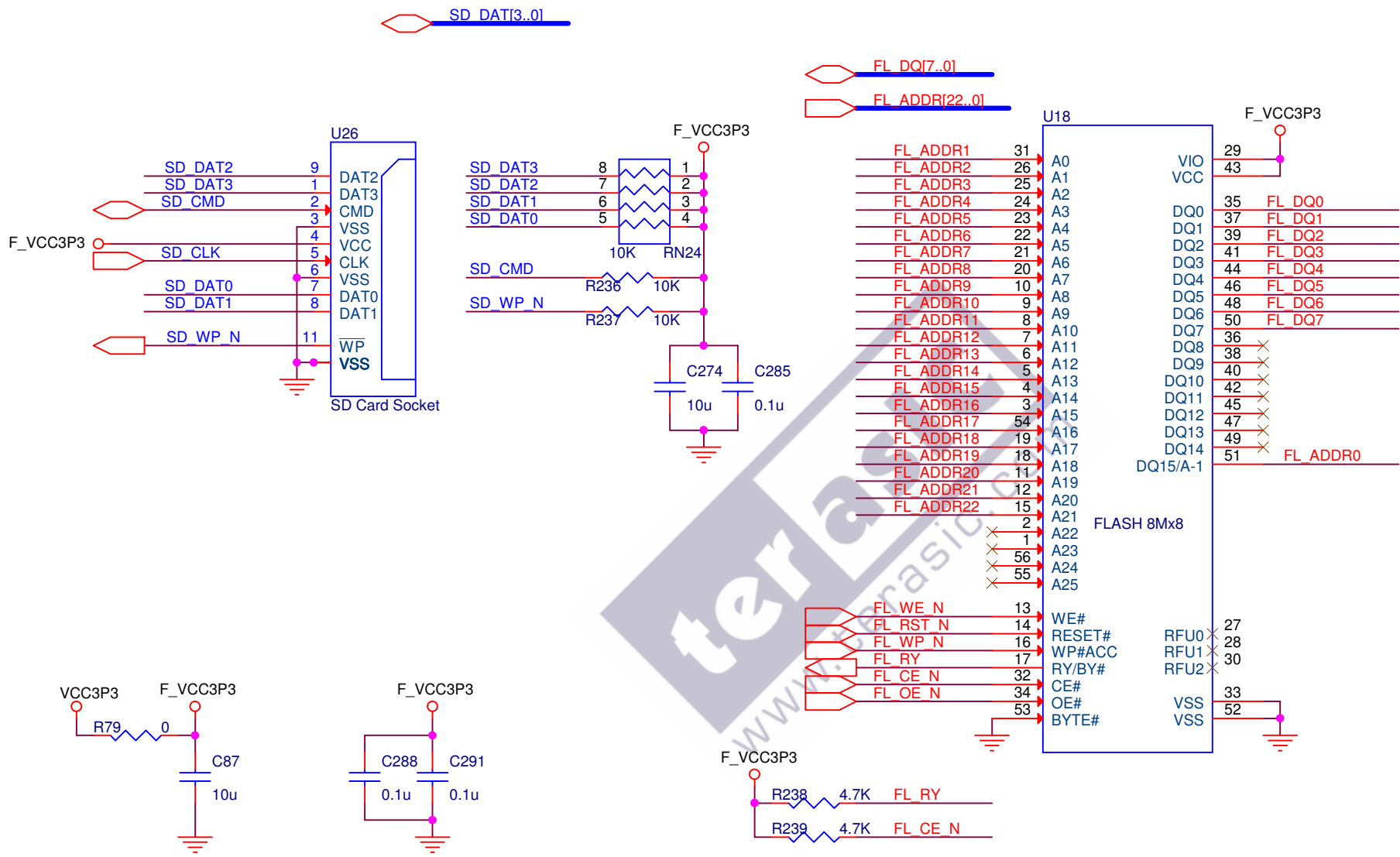
Title
DE2-115 Main Board


Size A	Document Number SDRAM	Rev B
------------------	---------------------------------	-----------------

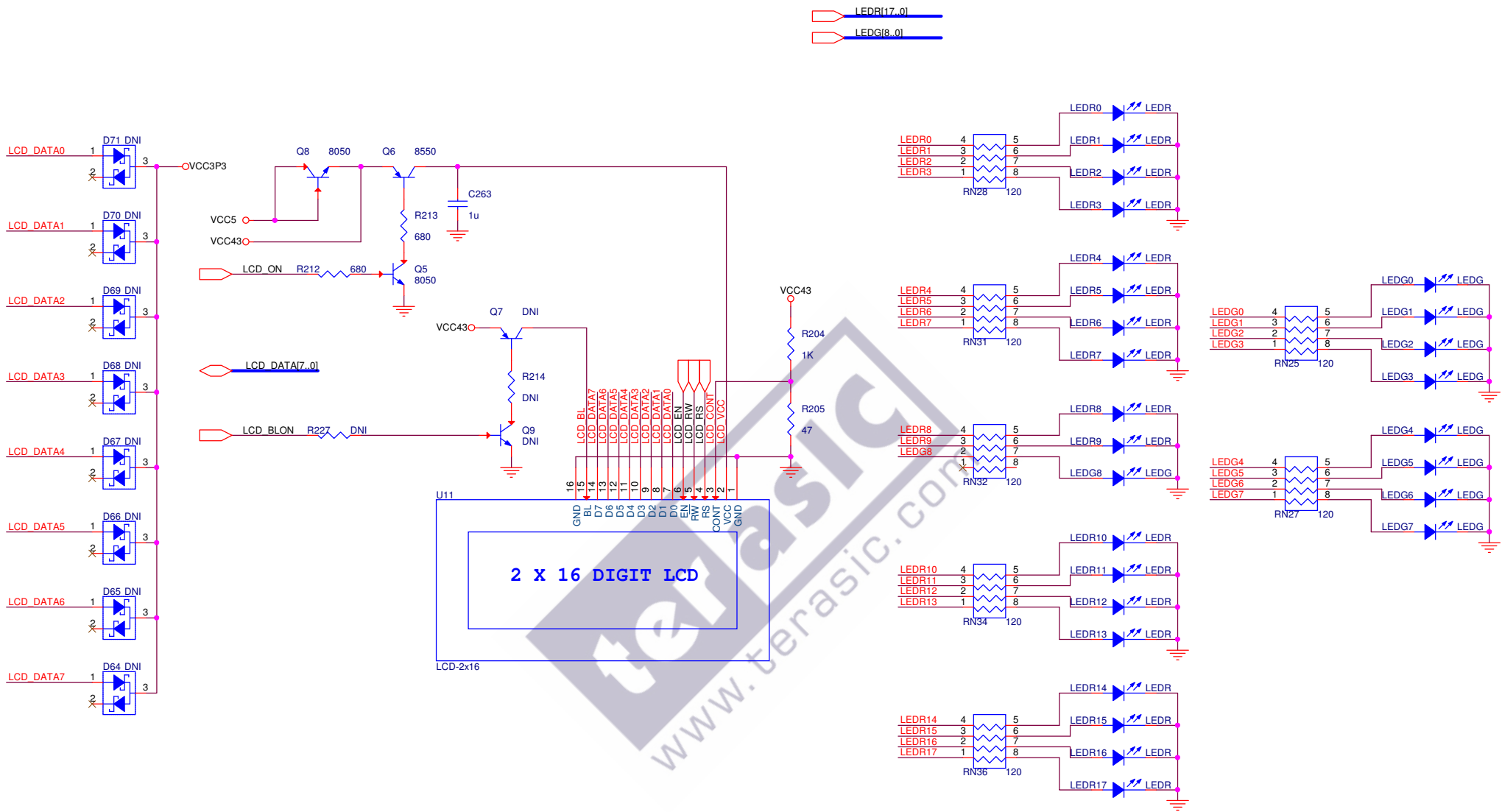
Date: Friday, September 24, 2010 **Sheet** 4 **of** 27



 Copyright (c) 2007 by Terasic Technologies Inc. Taiwan. All rights reserved. No part of this schematic design may be reproduced, duplicated, or used without the prior written permission of Terasic.		
Title		
DE2-115 Main Board		
Size	Document Number	Rev
A	SRAM	B
Date:	Friday, September 24, 2010	Sheet 5 of 27

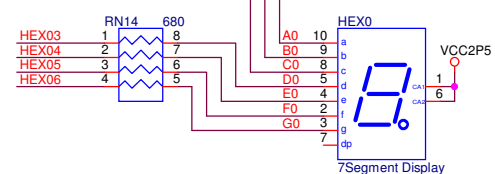
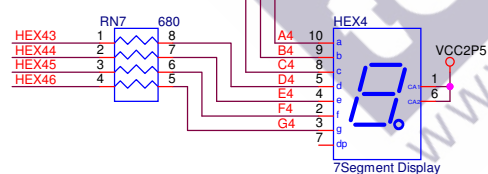
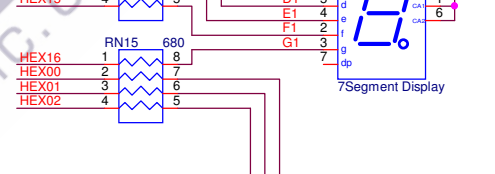
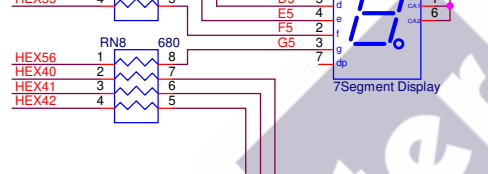
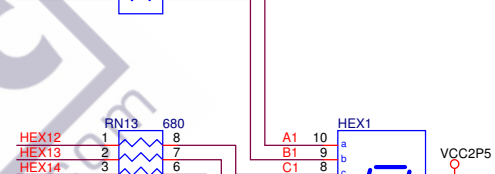
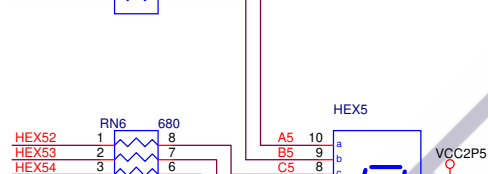
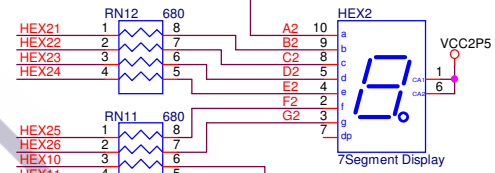
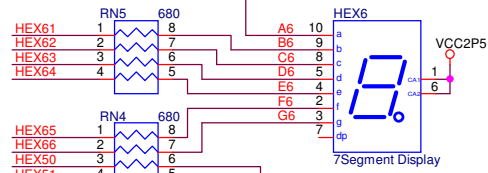
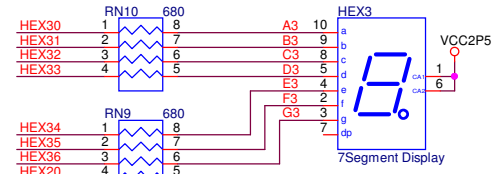
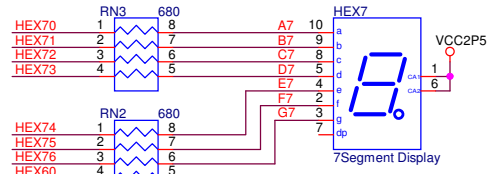


 Copyright (c) 2007 by Terasic Technologies Inc. Taiwan. All rights reserved. No part of this schematic design may be reproduced, duplicated, or used without the prior written permission of Terasic.		
Title		
DE2-115 Main Board		
Size	Document Number	Rev
A	Flash & SD	B
Date:	Friday, September 24, 2010	Sheet 6 of 27

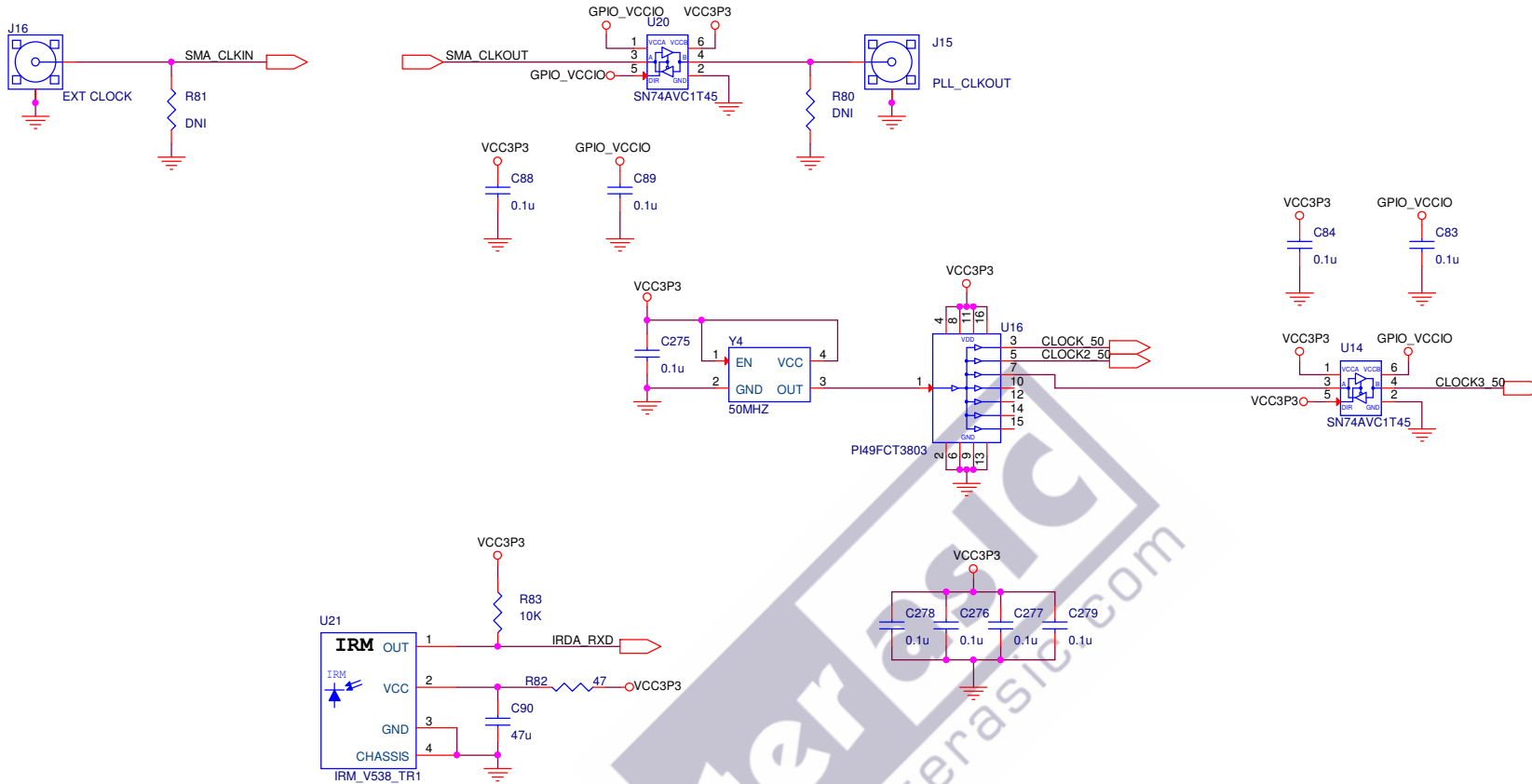



Copyright (c) 2007 by Terasic Technologies Inc. Taiwan. All rights reserved. No part of this schematic design may be reproduced, duplicated, or used without the prior written permission of Terasic.		
Title		
DE2-115 Main Board		
Size	Document Number	Rev
B	LCD & LED	B
Date:	Friday, September 24, 2010	Sheet 7 of 27

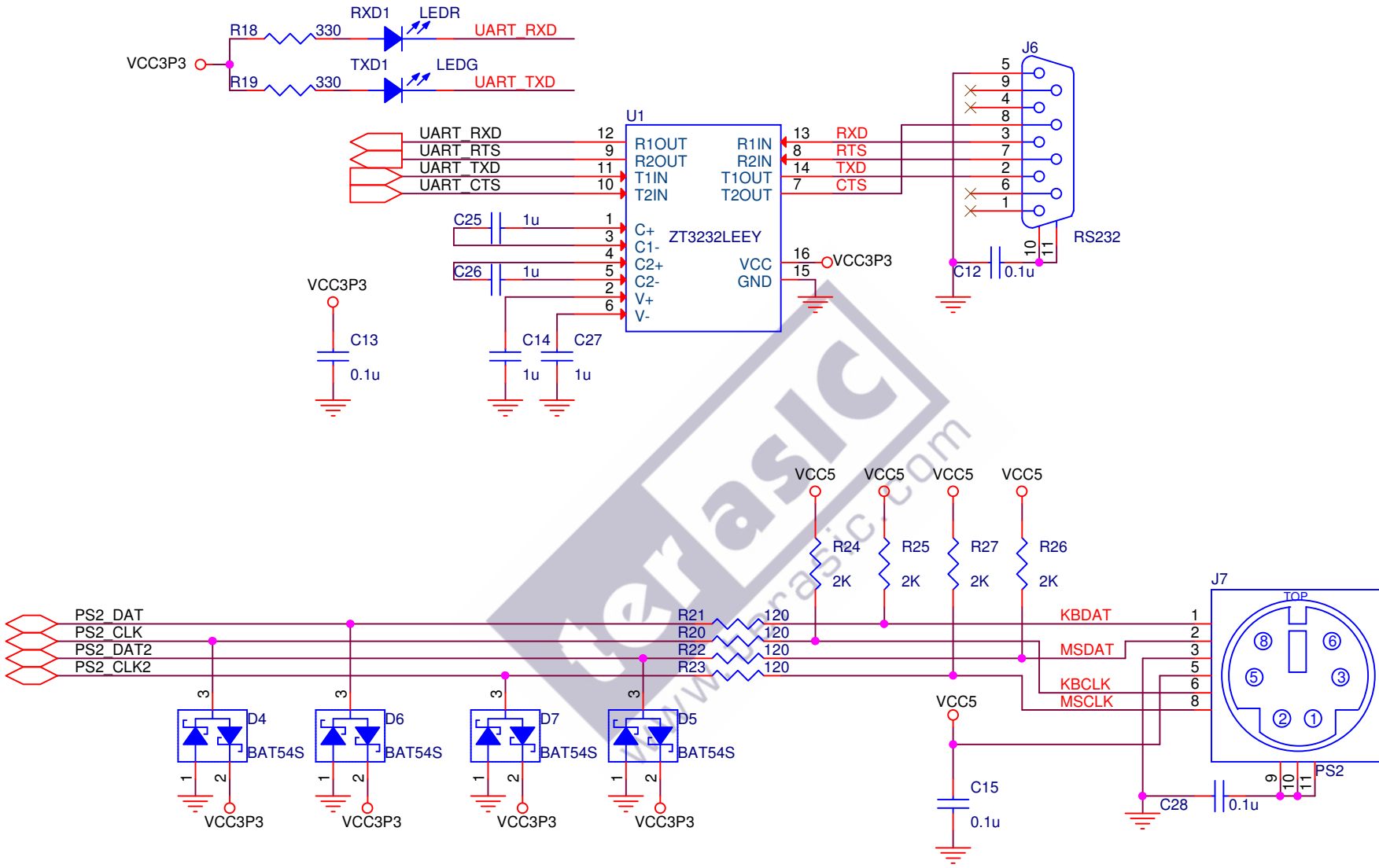
- ▶ HEX0[6..0]
- ▶ HEX1[6..0]
- ▶ HEX2[6..0]
- ▶ HEX3[6..0]
- ▶ HEX4[6..0]
- ▶ HEX5[6..0]
- ▶ HEX6[6..0]
- ▶ HEX7[6..0]




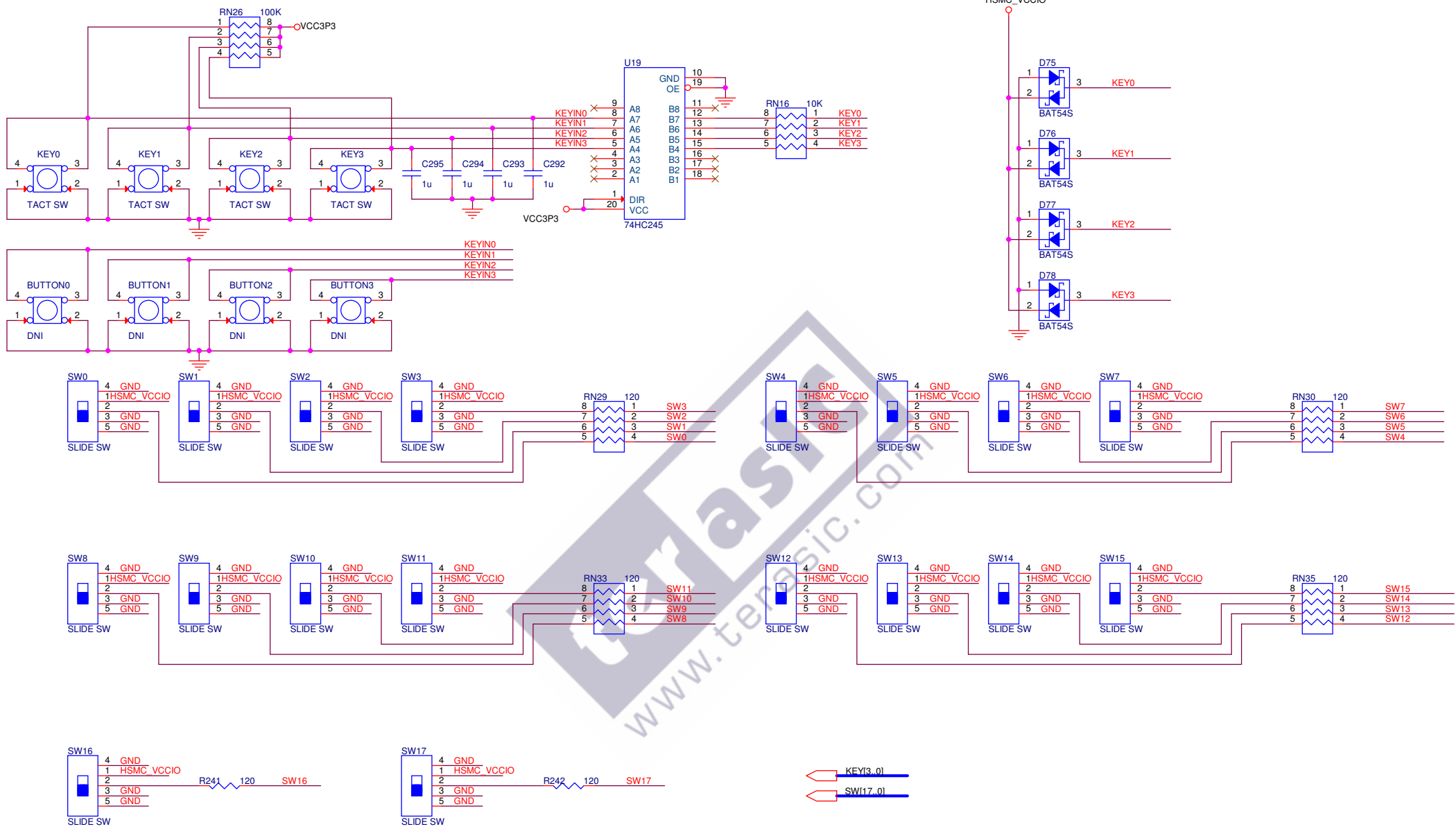
Copyright (c) 2007 by Terasic Technologies Inc. Taiwan. All rights reserved. No part of this schematic design may be reproduced, duplicated, or used without the prior written permission of Terasic.	
Title	
DE2-115 Main Board	
Size	Document Number
B	LCD & LED
Date:	Friday, September 24, 2010
Sheet	8 of 27
Rev	B



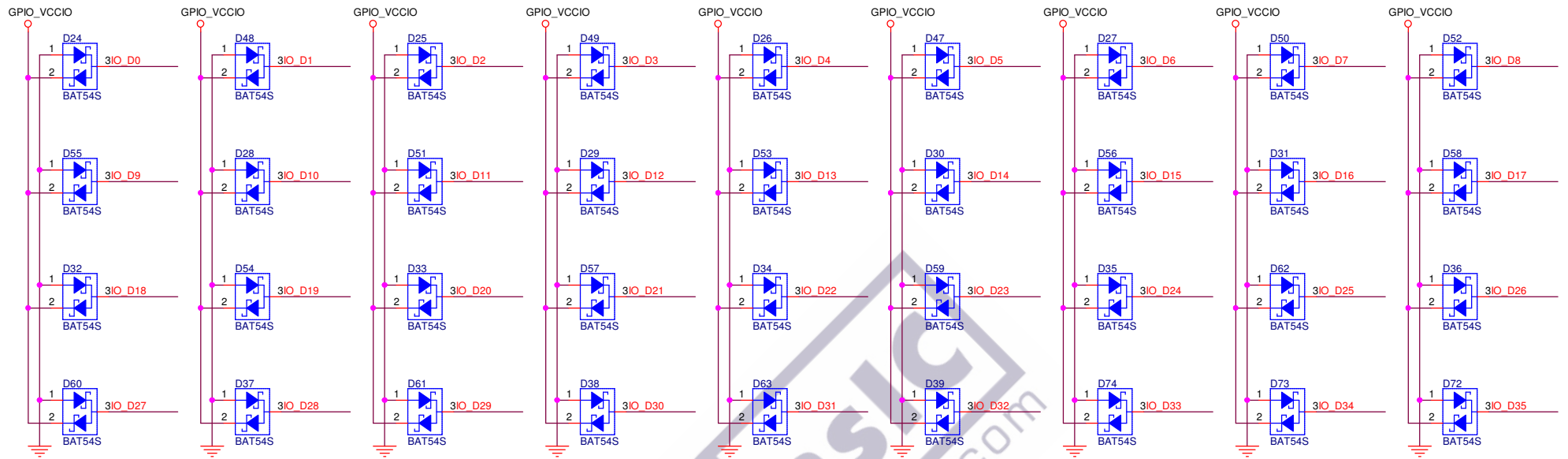
 Copyright (c) 2007 by Terasic Technologies Inc. Taiwan. All rights reserved. No part of this schematic design may be reproduced, duplicated, or used without the prior written permission of Terasic.		
Title		
DE2-115 Main Board		
Size	Document Number	Rev
B	CLOCK & IrDA	B
Date:	Friday, September 24, 2010	Sheet 9 of 27



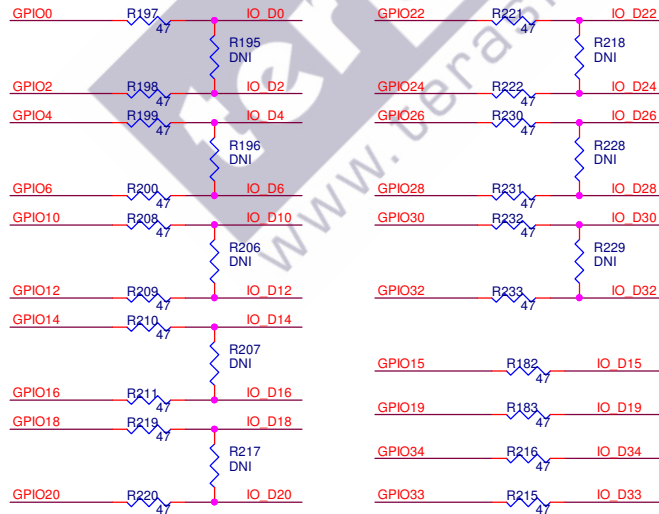
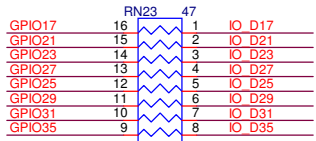
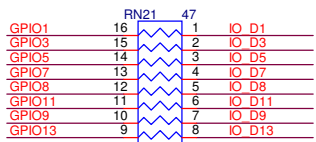
 Copyright (c) 2007 by Terasic Technologies Inc. Taiwan. All rights reserved. No part of this schematic design may be reproduced, duplicated, or used without the prior written permission of Terasic.		
Title		
DE2-115 Main Board		
Size	Document Number	Rev
A	PS2 & RS232	B
Date:	Friday, September 24, 2010	Sheet 10 of 27



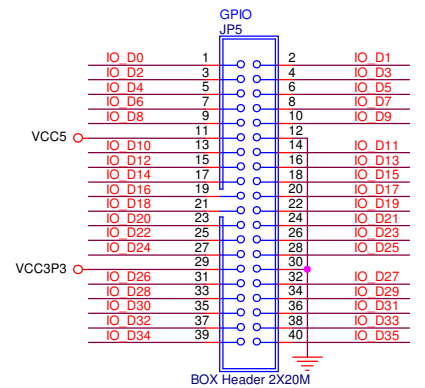
Copyright (c) 2007 by Terasic Technologies Inc. Taiwan. All rights reserved. No part of this schematic design may be reproduced, duplicated, or used without the prior written permission of Terasic.		
Title		
DE2-115 Main Board		
Size	Document Number	Rev
B	BUTTON & SWITCH	B
Date:	Friday, September 24, 2010	Sheet 11 of 27



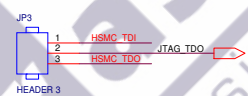
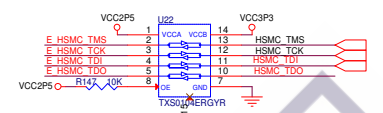
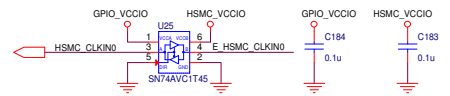
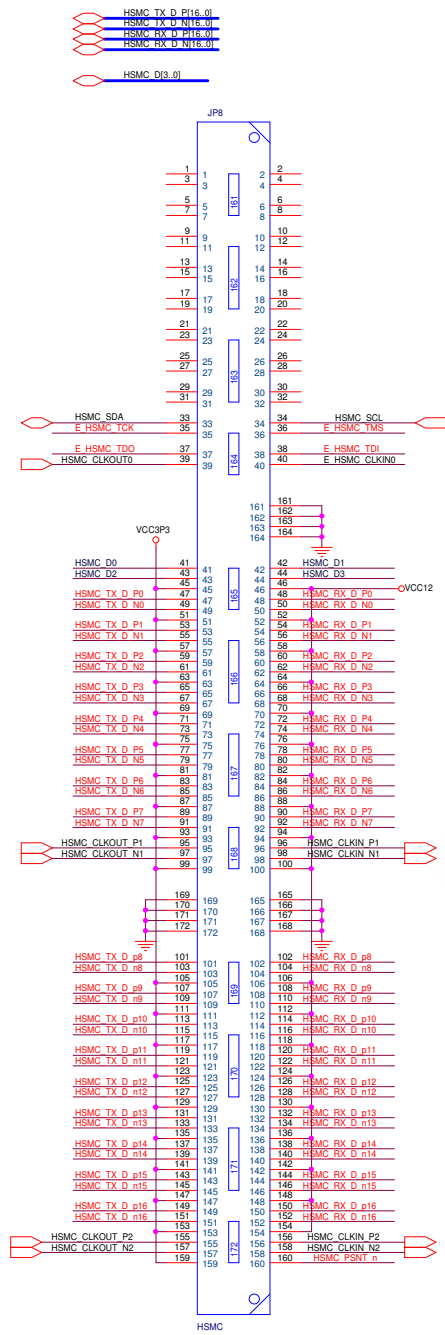
GPIOI35_01



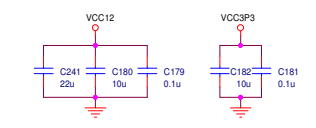
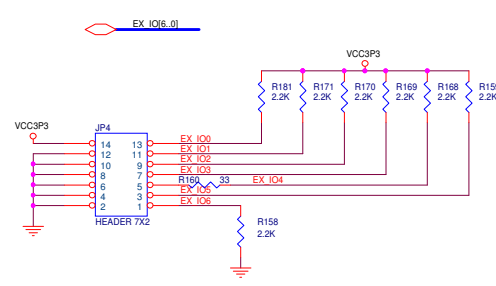
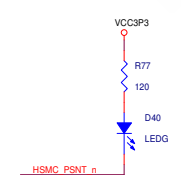
Close to FPGA

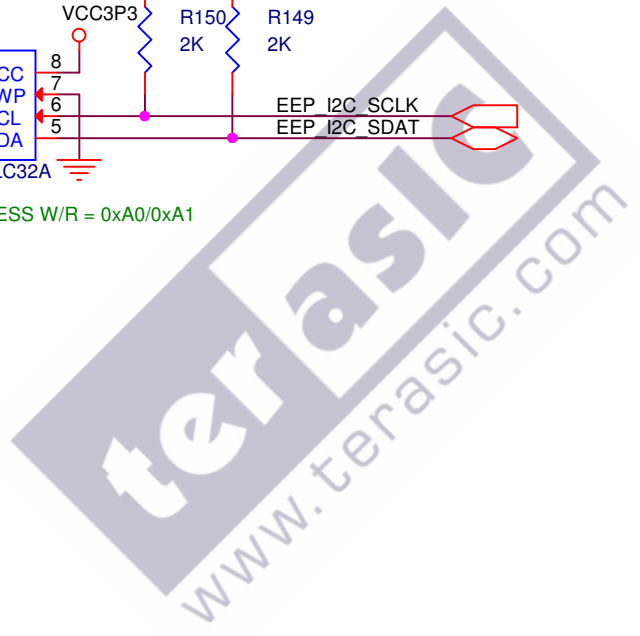
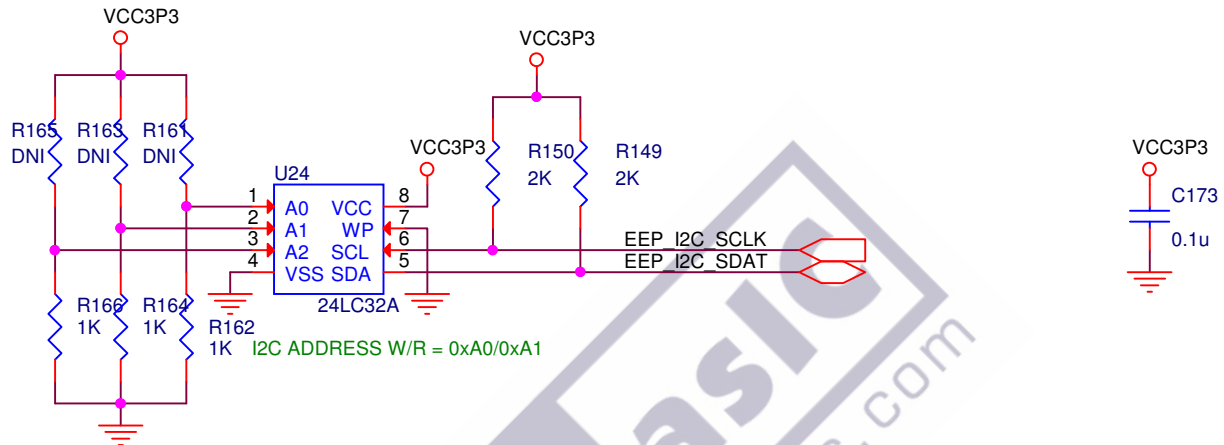



Copyright (c) 2007 by Terasic Technologies Inc. Taiwan. All rights reserved. No part of this schematic design may be reproduced, duplicated, or used without the prior written permission of Terasic.	
Title	
DE2-115 Main Board	
Size	Document Number
B	GPIO
Date:	Friday, September 24, 2010
Sheet	12 of 27
Rev	B

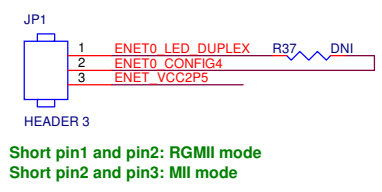
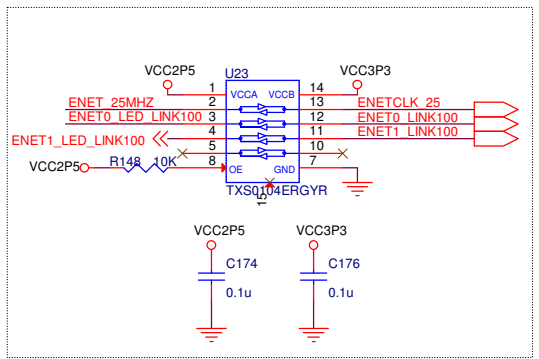
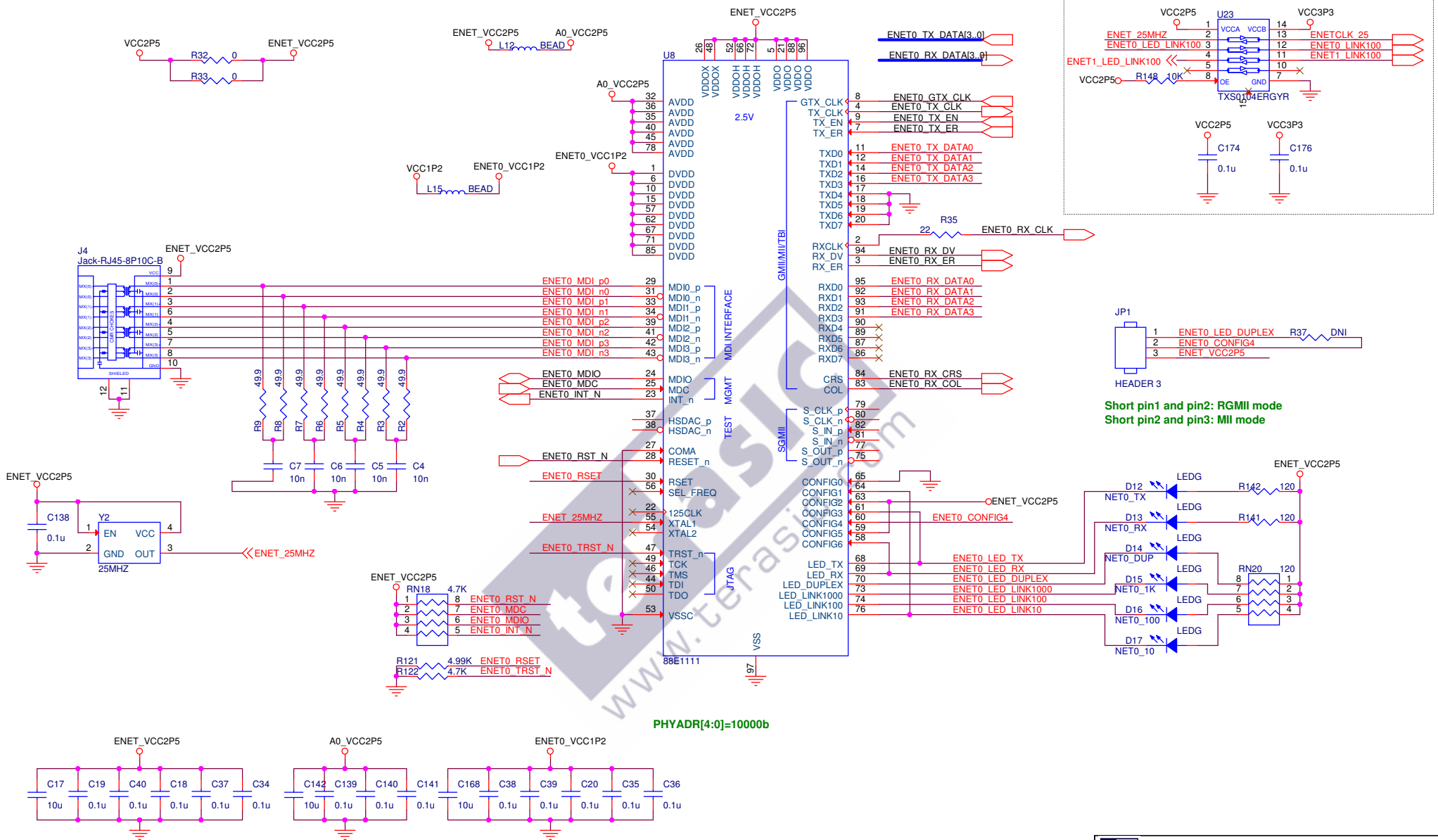


Short pin1 and pin2: JTAG chain not including HSMC
 Short pin2 and pin3: JTAG chain including HSMC

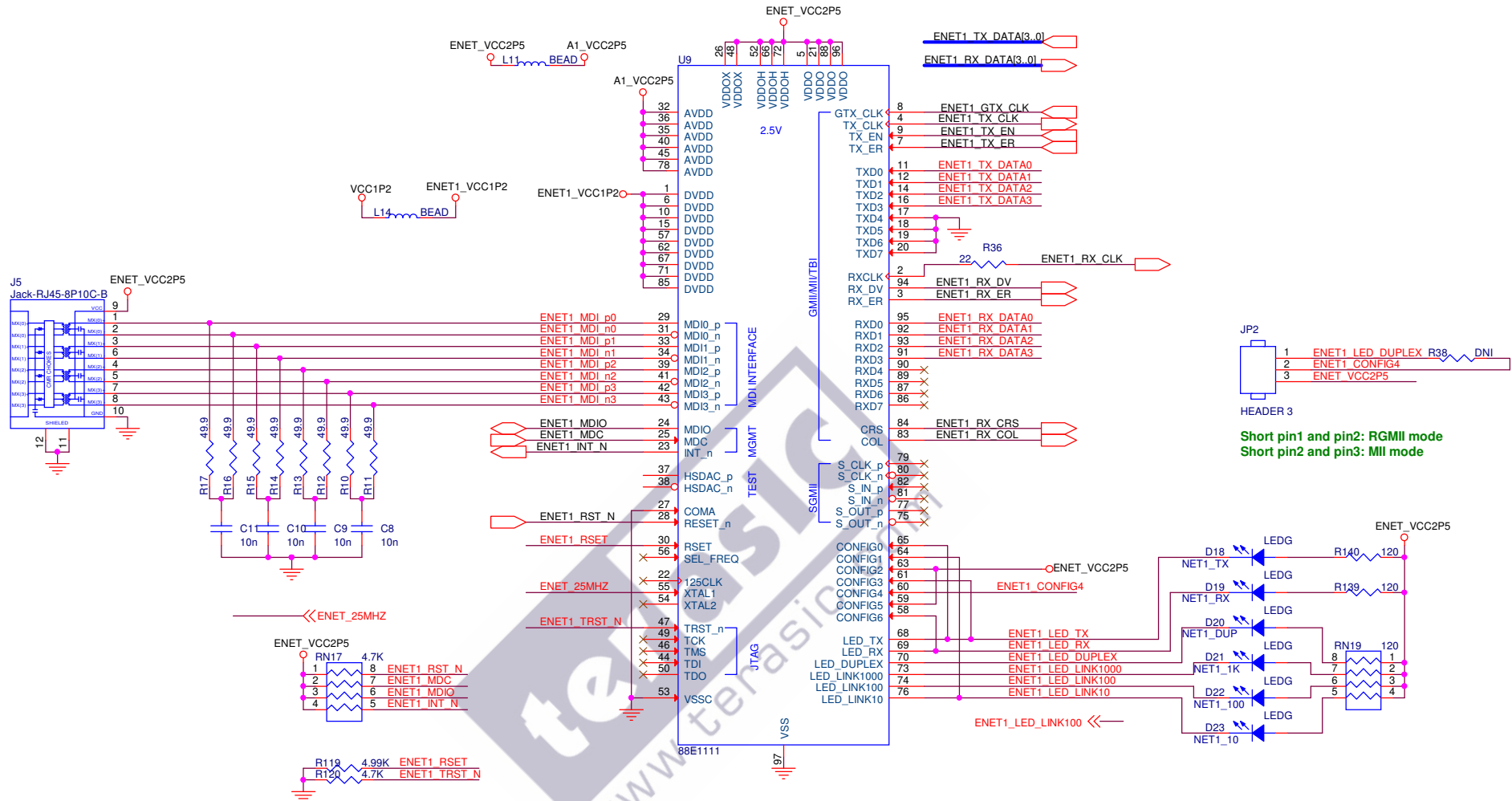




 Copyright (c) 2007 by Terasic Technologies Inc. Taiwan. All rights reserved. No part of this schematic design may be reproduced, duplicated, or used without the prior written permission of Terasic.		
Title DE2-115 Main Board		
Size A	Document Number EEPROM	Rev B
Date: Friday, September 24, 2010 Sheet 14 of 27		

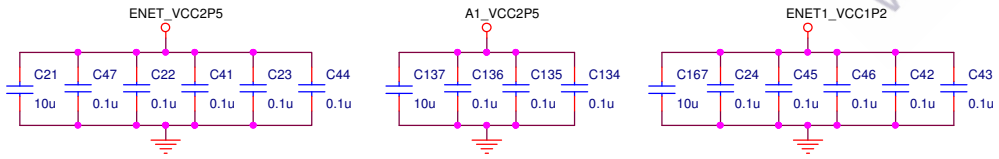


Copyright (c) 2007 by Terasic Technologies Inc. Taiwan. All rights reserved. No part of this schematic design may be reproduced, duplicated, or used without the prior written permission of Terasic.		
Title		
DE2-115 Main Board		
Size	Document Number	Rev
B	Ethernet 0	B
Date:	Friday, September 24, 2010	Sheet 15 of 27

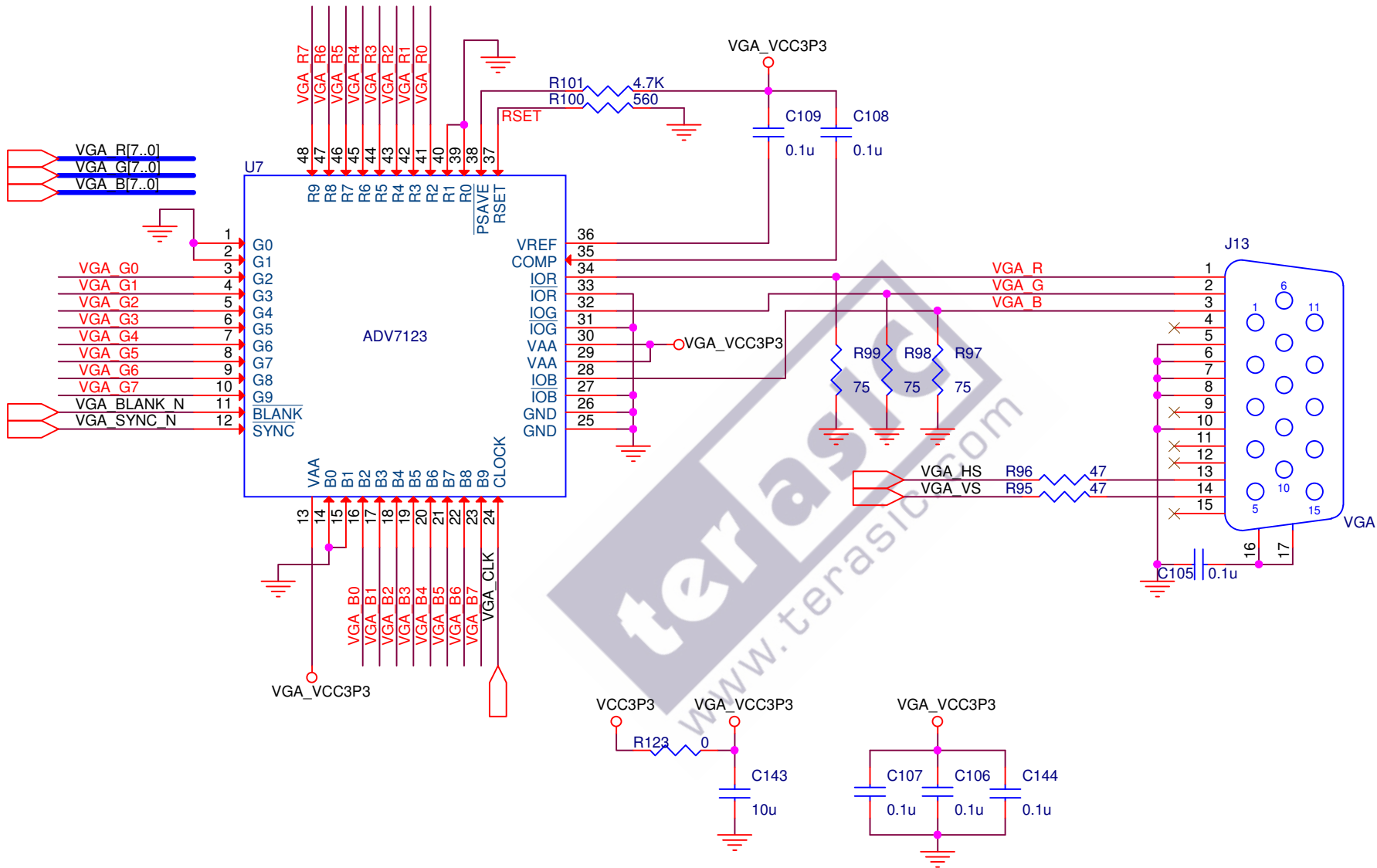



Short pin1 and pin2: RGMII mode
Short pin2 and pin3: MII mode

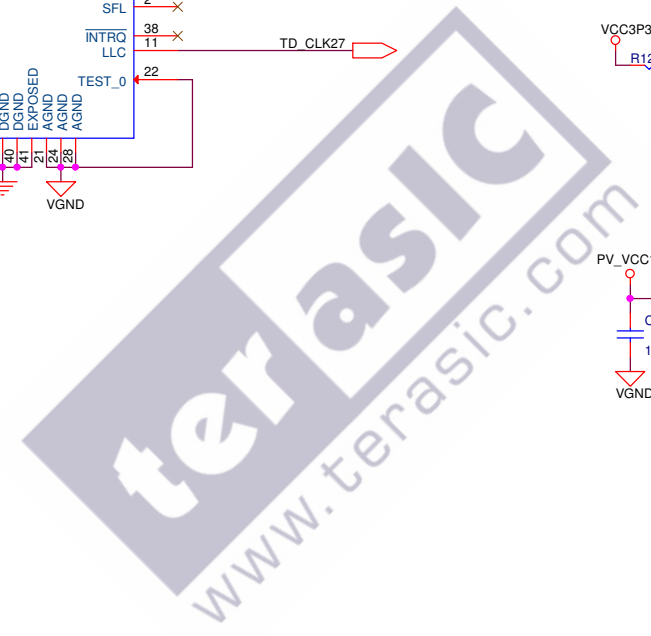
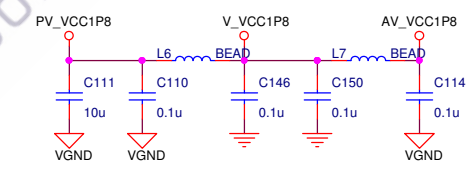
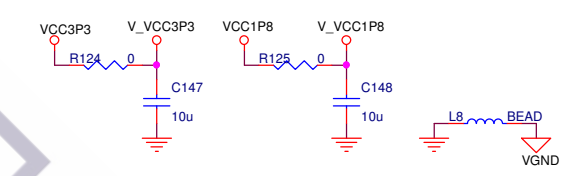
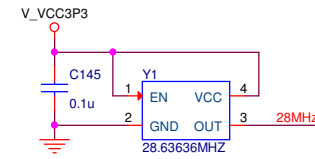
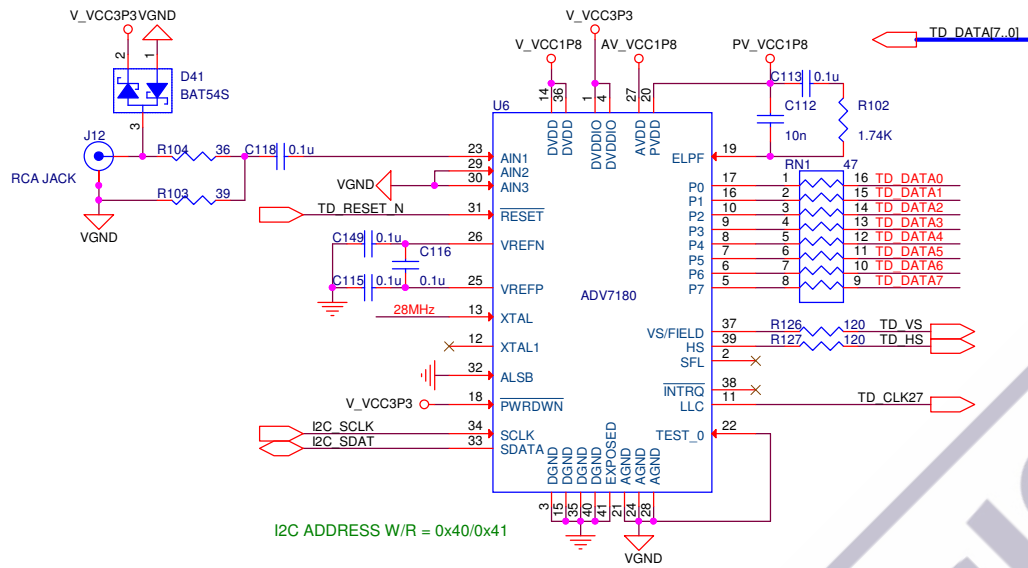
PHYADR[4:0]=10001b



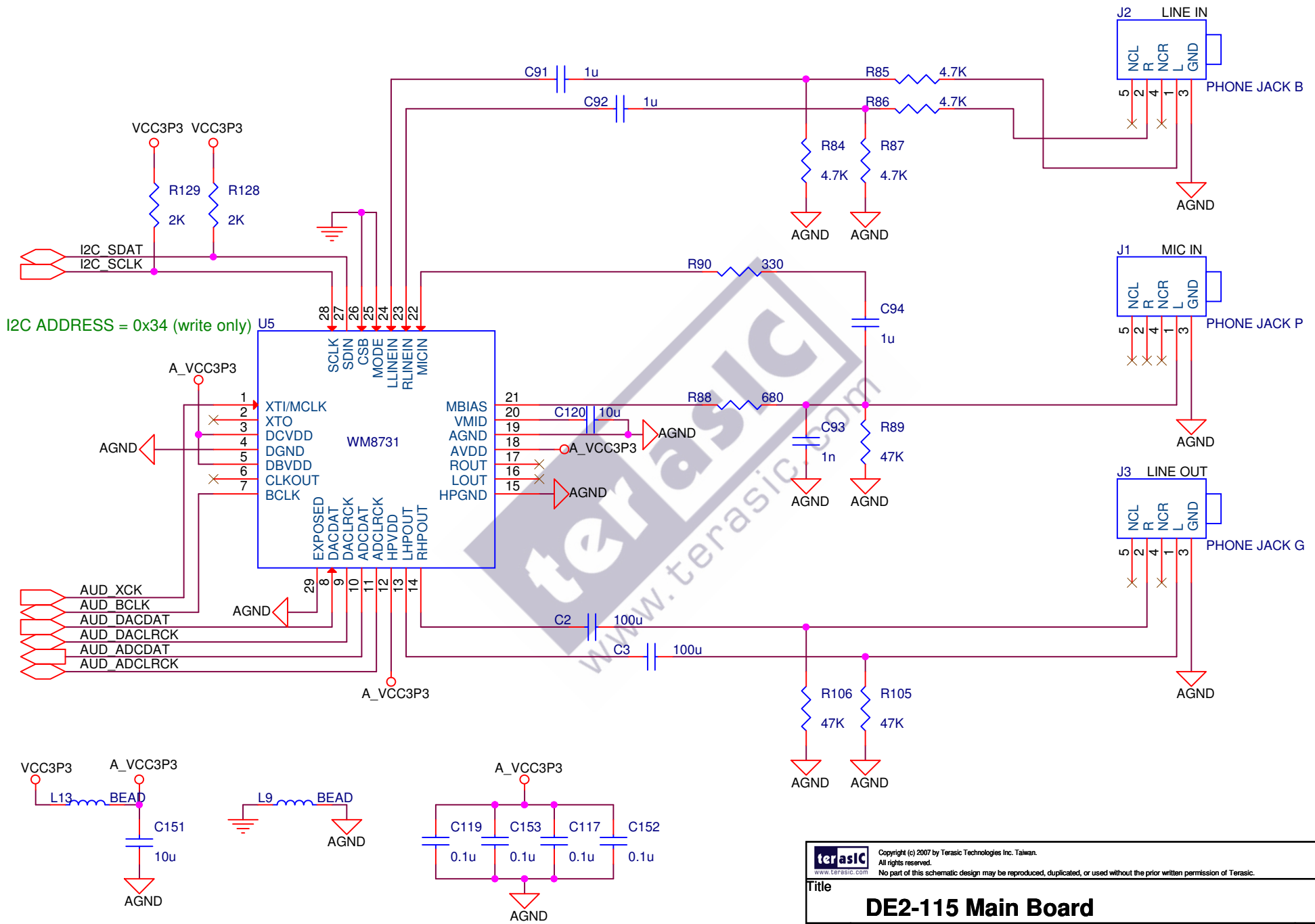
Copyright (c) 2007 by Terasic Technologies Inc. Taiwan. All rights reserved. No part of this schematic design may be reproduced, duplicated, or used without the prior written permission of Terasic.	
Title	
DE2-115 Main Board	
Size	Document Number
B	Ethernet 1
Date:	Friday, September 24, 2010
Sheet	16 of 27
Rev	B




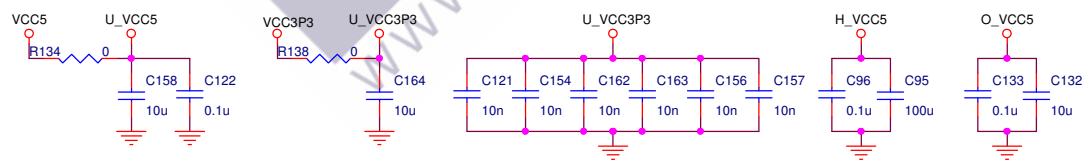
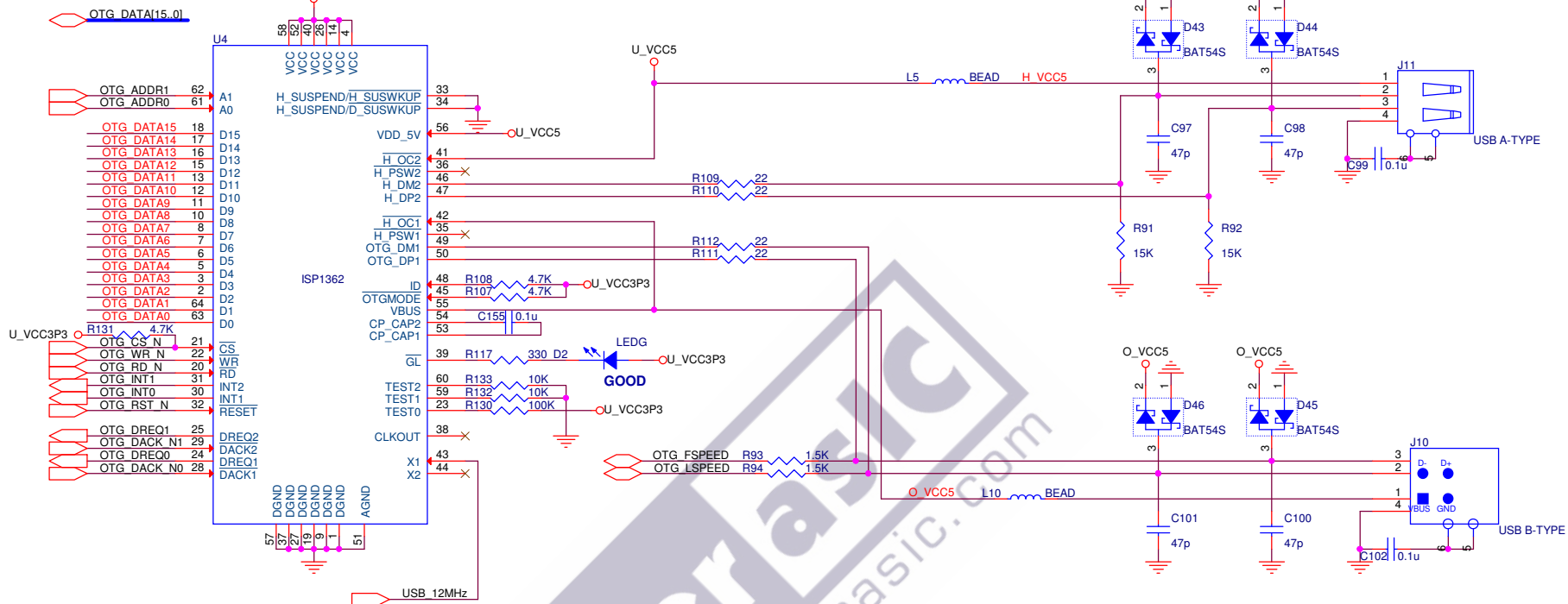
 Copyright (c) 2007 by Terasic Technologies Inc. Taiwan. All rights reserved. No part of this schematic design may be reproduced, duplicated, or used without the prior written permission of Terasic.		
Title		
DE2-115 Main Board		
Size	Document Number	Rev
A	ADV7123 VGA	B
Date:	Friday, September 24, 2010	Sheet 17 of 27



Copyright (c) 2007 by Terasic Technologies Inc. Taiwan. All rights reserved. No part of this schematic design may be reproduced, duplicated, or used without the prior written permission of Terasic.	
Title	
DE2-115 Main Board	
Size	Document Number
B	ADV7180 DECODER
Date:	Rev
Friday, September 24, 2010	B
Sheet	18 of 27



 Copyright (c) 2007 by Terasic Technologies Inc. Taiwan. All rights reserved. No part of this schematic design may be reproduced, duplicated, or used without the prior written permission of Terasic.		
Title		
DE2-115 Main Board		
Size	Document Number	Rev
A	WM8731 Audio	B
Date:	Friday, September 24, 2010	Sheet 19 of 27



Copyright (c) 2007 by Terasic Technologies Inc. Taiwan. All rights reserved. No part of this schematic design may be reproduced, duplicated, or used without the prior written permission of Terasic.		
Title		
DE2-115 Main Board		
Size	Document Number	Rev
B	ISP1362	B
Date:	Friday, September 24, 2010	Sheet 20 of 27

OTG_DATA[15_0]
LCD_DATA[7_0]

DRAM_DQ[31_0]
DRAM_ADDR[12_0]
DRAM_DQM[3_0]

SRAM_ADDR[19_0]
SRAM_DQ[15_0]

U12A

AUD_ADCLRCK	C2	DIFFIO_L1n/DQ2L
AUD_ADCDAT	D2	DIFFIO_L2p/DQ2L
AUD_DACDAT	D1	DIFFIO_L2n/DQ2L
PS2_CLK	G6	DIFFIO_L2n/DQ2L
PS2_CLK2	G5	DIFFIO_L3p/DQ2L/nRESET
AUD_DACLCK	E3	DIFFIO_L4p/DQS2L/CQ3L/CDPCLK0
OTG_DATA14	F3	DIFFIO_L4n/DQ2L
PS2_DAT2	F5	DIFFIO_L5p/DQ2L
OTG_DATA15	G4	DIFFIO_L6p/DQ2L
OTG_DATA12	G3	DIFFIO_L6n
OTG_DATA9	H4	DIFFIO_L7p
OTG_DATA8	H3	DIFFIO_L7n
AUD_XCK	E1	DIFFIO_L8n
AUD_BCLK	F2	DIFFIO_L9p/DM2L
OTG_DATA13	F1	DIFFIO_L9n/DQ0L
OTG_DATA4	J4	DIFFIO_L10p
OTG_DATA5	J3	DIFFIO_L10n/DQ0L
OTG_DATA11	G2	DIFFIO_L11p/DQ0L
OTG_DATA10	G1	DIFFIO_L11n
LCD_DATA5	K2	DIFFIO_L12p/DQS0L/CQ1L/DPCLK0
LCD_DATA4	K1	DIFFIO_L12n/DQ0L
OTG_DATA1	K4	DIFFIO_L13p
OTG_DATA3	K3	DIFFIO_L13n
LCD_EN	L4	DIFFIO_L14p
LCD_DATA0	L3	DIFFIO_L14n
DRAM_DQ21	M4	DIFFIO_L15p
LCD_DATA6	M3	DIFFIO_L15n
OTG_DATA0	J6	DIFFIO_L18p
OTG_DATA2	J5	DIFFIO_L16n
OTG_DATA6	J7	DIFFIO_L17p
LCD_DATA3	K7	DIFFIO_L17n
DRAM_DQM2	K8	DIFFIO_L18p
DRAM_DQ17	L8	DIFFIO_L18n
DRAM_DQ23	L7	DIFFIO_L19p
LCD_BLON	L6	DIFFIO_L19n
DRAM_DQ20	N4	DIFFIO_L20p
DRAM_DQ19	N3	DIFFIO_L20n
DRAM_DQ16	M8	DIFFIO_L21p
DRAM_DQ22	M7	DIFFIO_L21n
LCD_DATA2	L2	DIFFIO_L22p
LCD_DATA1	L1	DIFFIO_L22n/DQ0L
LCD_RS	M1	DIFFIO_L23p
LCD_RW	M1	DIFFIO_L23n/DQ0L
DRAM_DQ18	P2	DIFFIO_L24p
DRAM_ADDR3	P1	DIFFIO_L24n/DQ0L

BANK1

H6 OTG_DATA7
H5 PS2_DAT
N8 DRAM_DQM3
H7 OTG_ADDR0
L5 LCD_ON
M5 LCD_DATA7
VREFB1N0
VREFB1N1
VREFB1N2
DIFFCLK_0n/CLK1
J1 OTG_DREQ0

U12B


DRAM_DQ27	R2	DIFFIO_L25p/DQ0L
DRAM_DQ26	R1	DIFFIO_L25n
DRAM_DQ25	R7	DIFFIO_L26p
DRAM_ADDR0	R6	DIFFIO_L26n
DRAM_DQ7	U3	DIFFIO_L27p/DM0L
DRAM_DQ30	U4	DIFFIO_L27n
DRAM_DQ28	R3	DIFFIO_L28p/DQ1L
DRAM_BA1	R4	DIFFIO_L28n/DQ1L
DRAM_CS_N	T4	DIFFIO_L29p/DQ1L
DRAM_DQ29	T3	DIFFIO_L29n
DRAM_DQM0	U2	DIFFIO_L30p
DRAM_DQ31	U1	DIFFIO_L30n/DQ1L
DRAM_DQ2	V4	DIFFIO_L31p/DQ1L
DRAM_DQ4	V3	DIFFIO_L31n
DRAM_DQ5	V2	DIFFIO_L32p/DQ1L
DRAM_DQ6	V1	DIFFIO_L32n/DQ1L
DRAM_DQ12	AB2	DIFFIO_L33p/DQS1L/CQ1L#/DPCLK1
DRAM_DQ10	AB1	DIFFIO_L33n
DRAM_DQ1	W2	DIFFIO_L34p/DQ1L
DRAM_DQ3	W1	DIFFIO_L34n/DM1L/BWS#1L
DRAM_RAS_N	U6	DIFFIO_L35p/DQ3L
DRAM_DQ24	U5	DIFFIO_L35n
DRAM_DQ8	Y4	DIFFIO_L36p/DQ3L
DRAM_DQ8	Y3	DIFFIO_L36n
DRAM_DQ15	AC2	DIFFIO_L37p/DQ3L
DRAM_DQ13	AC1	DIFFIO_L37n/DQ3L
SRAM_ADDR13	AC3	DIFFIO_L38p/DQ3L
SRAM_ADDR11	AD3	DIFFIO_L38n
SRAM_DQ9	AD2	DIFFIO_L39p/DQ3L
SRAM_DQ8	AD1	DIFFIO_L39n
SRAM_ADDR14	AA4	DIFFIO_L40p/DQ3L
DRAM_DQ11	AA3	DIFFIO_L40n
SRAM_DQ10	AE2	DIFFIO_L41p/DQ3L
SRAM_DQ11	AE1	DIFFIO_L41n
DRAM_WE_N	V6	DIFFIO_L42p
DRAM_ADDR4	V5	DIFFIO_L42n
DRAM_ADDR1	V8	DIFFIO_L43P
DRAM_CAS_N	V7	DIFFIO_L43n
DRAM_DQM1	W4	DIFFIO_L44p
DRAM_DQ0	W3	DIFFIO_L44n
DRAM_ADDR9	Y6	DIFFIO_L45p
DRAM_ADDR8	Y5	DIFFIO_L45n
DRAM_ADDR5	W8	DIFFIO_L46p
DRAM_ADDR12	Y7	DIFFIO_L46n
DRAM_CKE	AA6	DIFFIO_L47p
DRAM_ADDR11	AA5	DIFFIO_L47n
SRAM_DQ12	AE3	DIFFIO_L48p/DQS3L/CQ3L#/CDPCLK1
SRAM_ADDR10	AF2	DIFFIO_L48n/DM3L/BWS#3L
SRAM_ADDR7	AC5	DIFFIO_L49p
SRAM_UB_N	AC4	DIFFIO_L49n
SRAM_ADDR4	AB6	DIFFIO_L50p
SRAM_ADDR6	AB5	DIFFIO_L50n

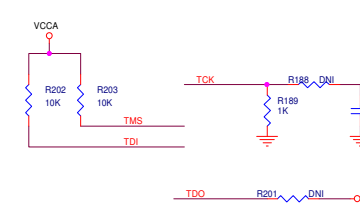
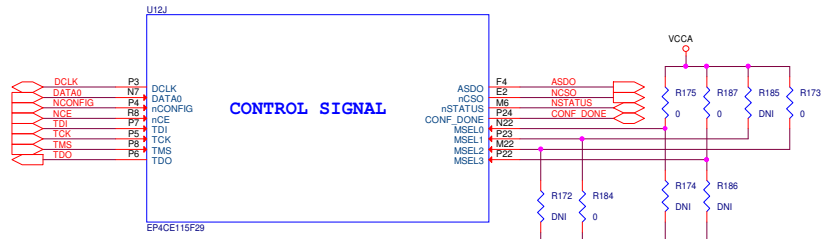
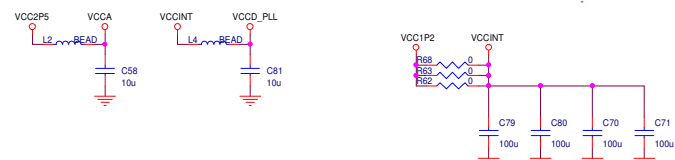
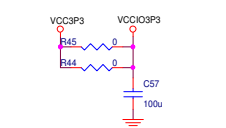
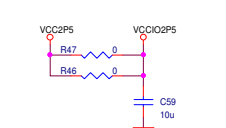
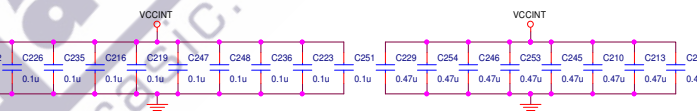
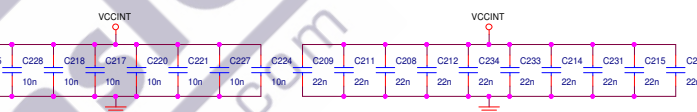
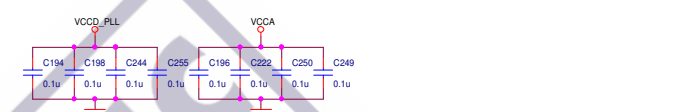
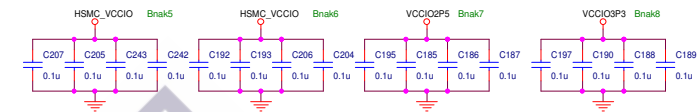
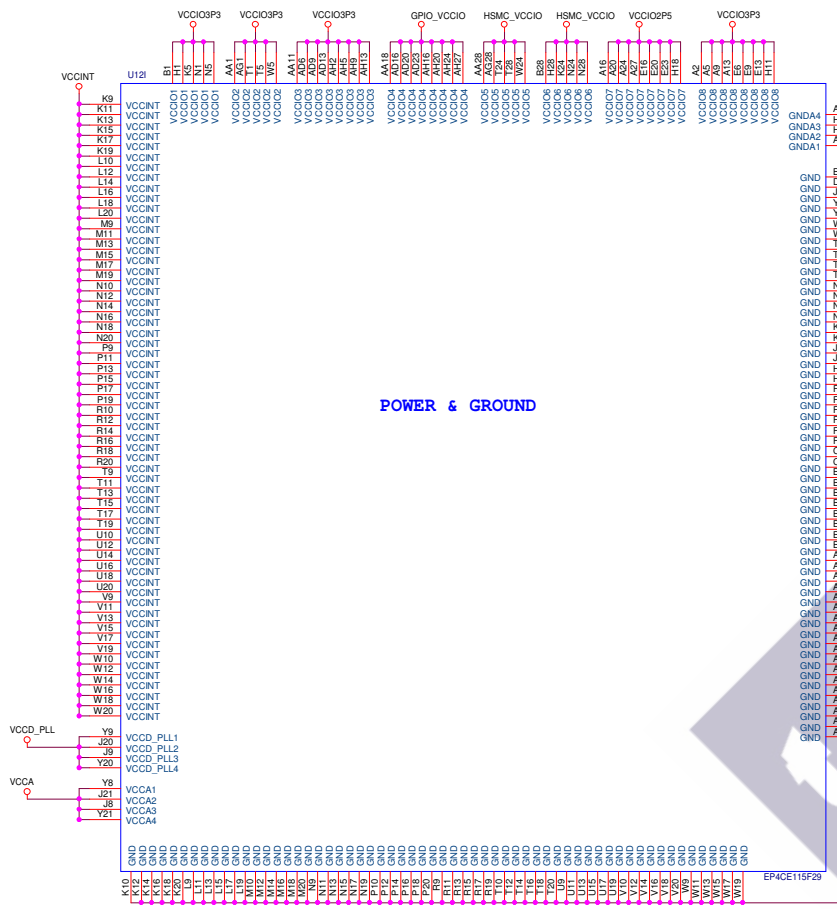
BANK2

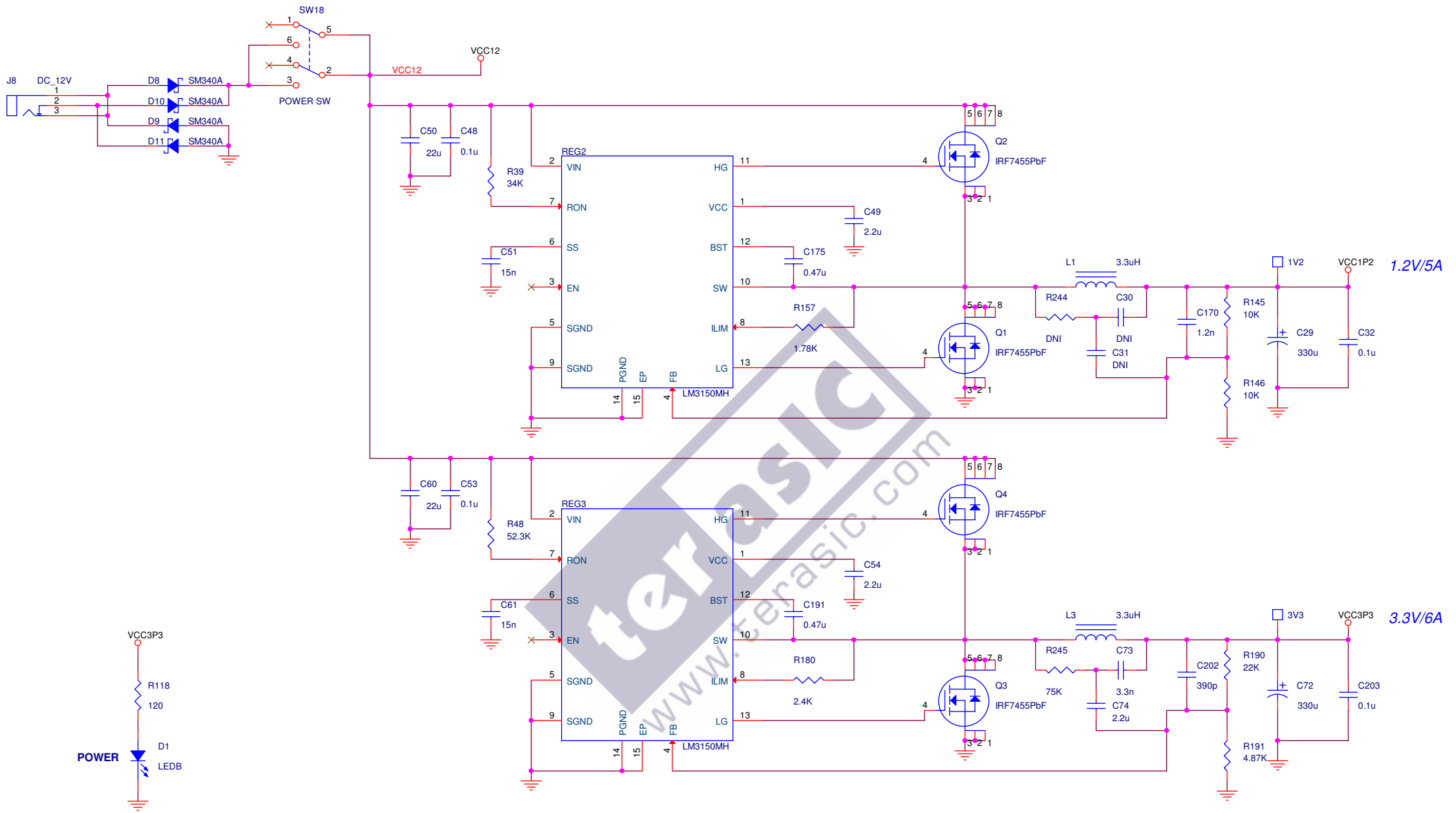
R5 DRAM_ADDR10
AB3 DRAM_DQ14
W7 DRAM_ADDR6
AA7 DRAM_ADDR7
IO_0/DQ1L
IO_1/DQ3L
IO_2
IO_3
U7 DRAM_BA0
U8 DRAM_ADDR2
RUP1
RDN1
VREFB2N0
VREFB2N1
VREFB2N2
T7 SRAM_ADDR9
T8 SRAM_ADDR19
AB4 SRAM_ADDR12
DIFFCLK_1p/CLK2
DIFFCLK_1n/CLK3
Y2 CLOCK_50
Y1 FL_RY


EP4CE115F29

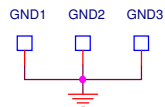
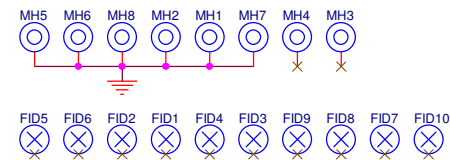
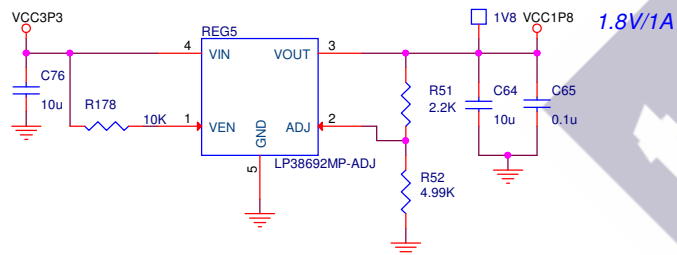
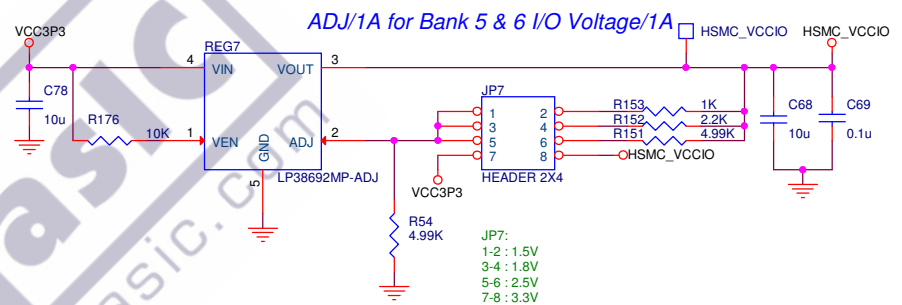
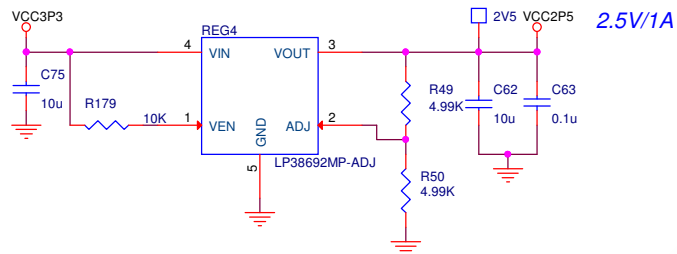
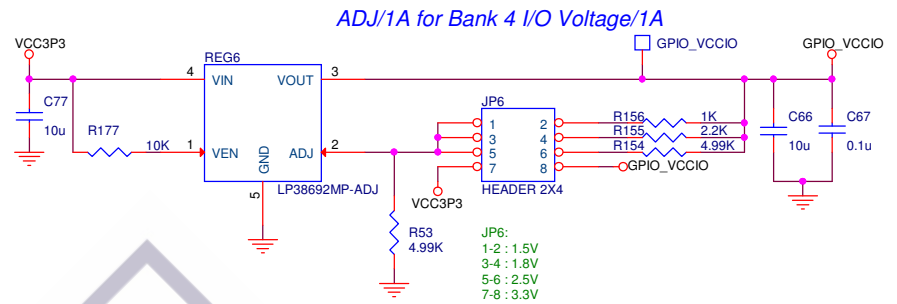
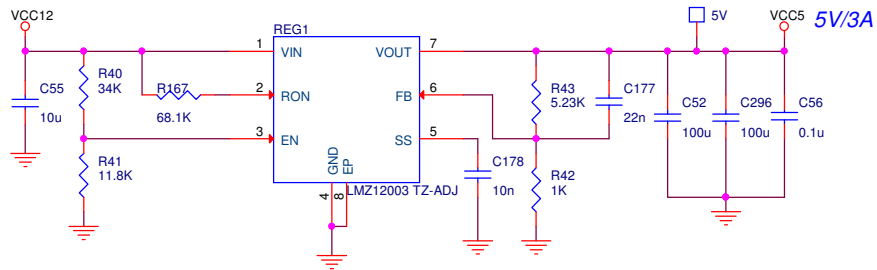
EP4CE115F29

 Copyright (c) 2007 by Terasic Technologies Inc. Taiwan. All rights reserved. No part of this schematic design may be reproduced, duplicated, or used without the prior written permission of Terasic.		
Title		
DE2-115 Main Board		
Size	Document Number	Rev
B	EP4CE115 BANK 1 and BANK 2	B
Date:	Friday, September 24, 2010	Sheet 21 of 27





 Copyright (c) 2007 by Terasic Technologies Inc. Taiwan. All rights reserved. No part of this schematic design may be reproduced, duplicated, or used without the prior written permission of Terasic.		
Title		
DE2-115 Main Board		
Size	Document Number	Rev
B	POWER 1.2V & 3.3V	B
Date:	Friday, September 24, 2010	Sheet 26 of 27



Copyright (c) 2007 by Terasic Technologies Inc. Taiwan. All rights reserved. No part of this schematic design may be reproduced, duplicated, or used without the prior written permission of Terasic.	
Title	
DE2-115 Main Board	
Size	Document Number
B	POWER 1.8V & 2.5V & 5V
Date:	Rev
Friday, September 24, 2010	B
Sheet	27 of 27